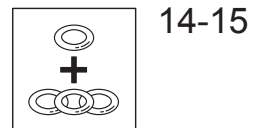
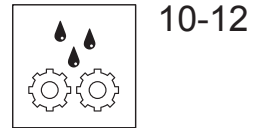
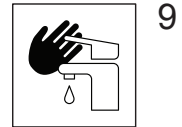
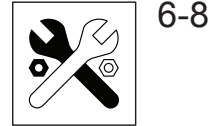




HANSACARE

Installation and maintenance guide

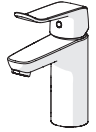
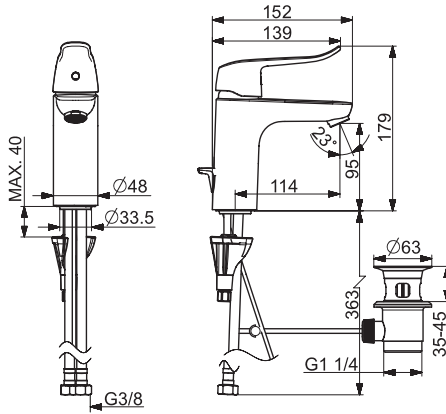






4601 2206

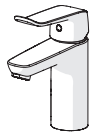
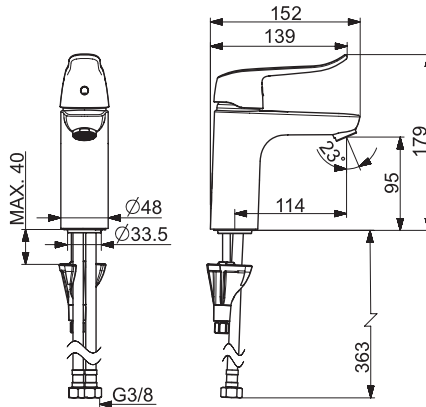
I (ISO 3822)
 EN 817
 50 - 1000 kPa
 0.1 l/s (300 kPa w/Controller)
 200 kPa (0.1 l/s)
 max. +80°C



mpi.hansa.com/46012206

4602 2206

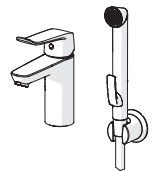
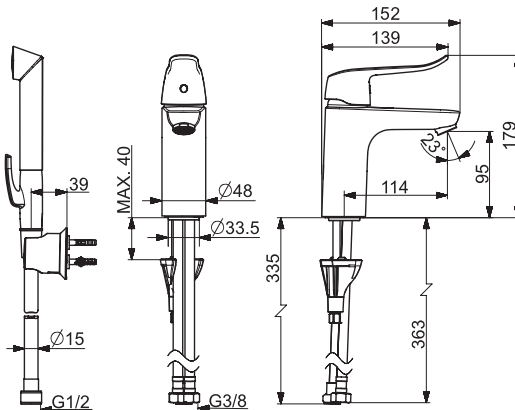
I (ISO 3822)
 EN 817
 50 - 1000 kPa
 0.1 l/s (300 kPa w/Controller)
 200 kPa (0.1 l/s)
 max. +80°C



mpi.hansa.com/46022206

4628 2206

I (ISO 3822)
 EN 817
 50 - 1000 kPa
 0.1 l/s (300 kPa w/Controller)
 200 kPa (0.1 l/s)
 max. +80°C

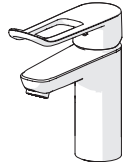
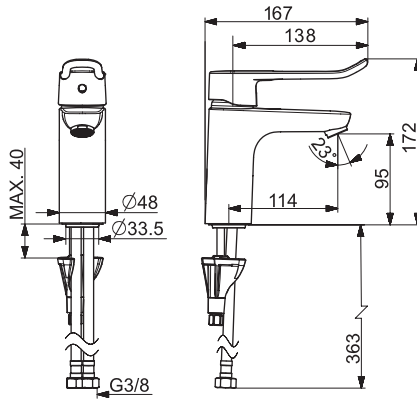


mpi.hansa.com/46282206



4602 2286

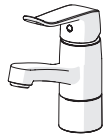
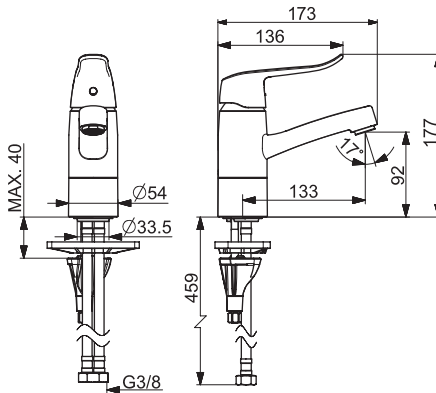
I (ISO 3822)
 EN 817
 50 - 1000 kPa
 0.18 l/s (300 kPa)
 95 kPa (0.1 l/s)
 max. +80°C



mpi.hansa.com/46022286

4615 2206

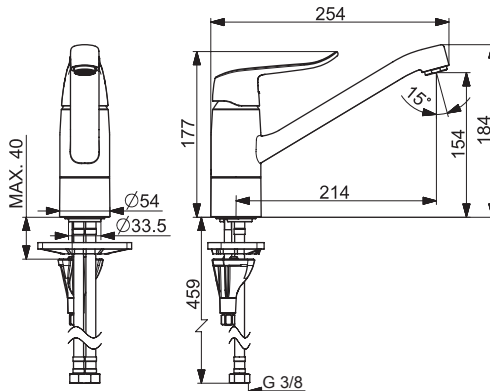
I (ISO 3822)
 EN 817
 50 - 1000 kPa
 0.1 l/s (300 kPa w/Controller)
 200 kPa (0.1 l/s)
 max. +80°C



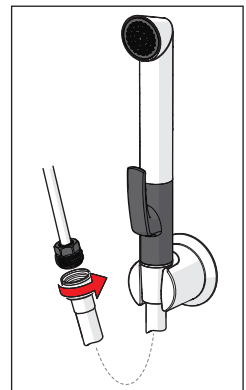
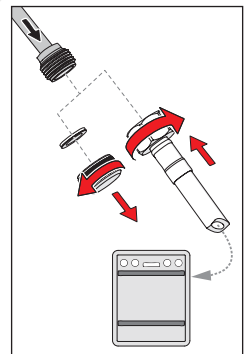
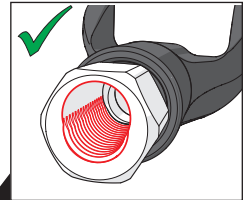
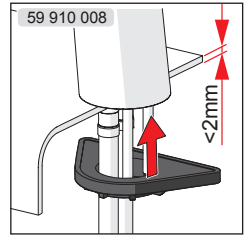
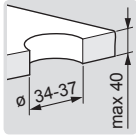
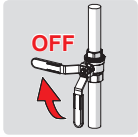
mpi.hansa.com/46152206

4610 2206

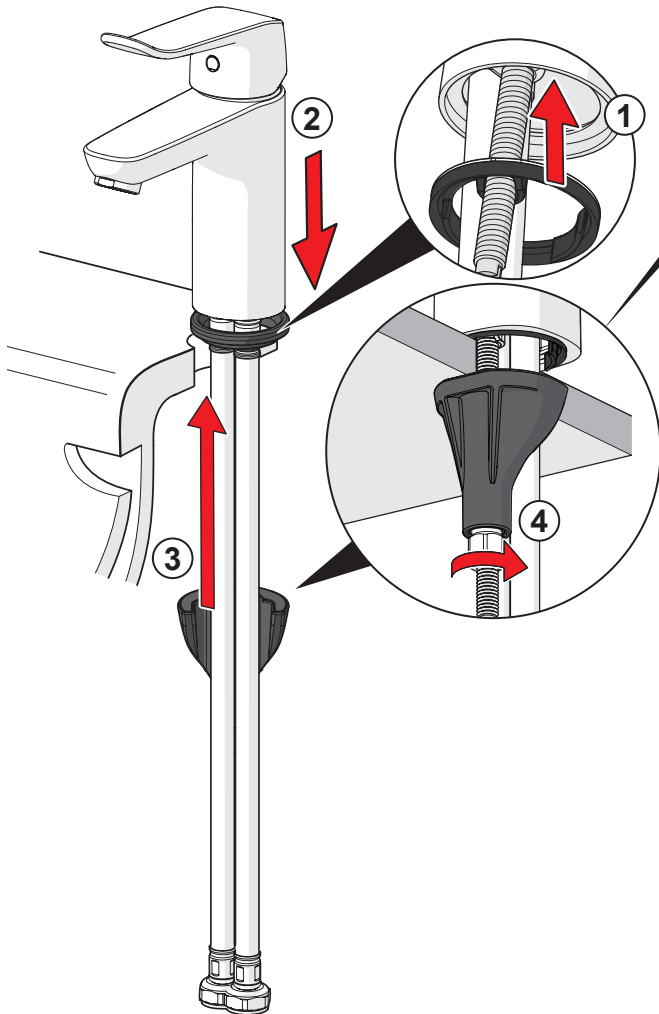
I (ISO 3822)
 EN 817
 50 - 1000 kPa
 0.20 l/s (300 kPa)
 300 kPa (0.2 l/s)
 max. +90°C



mpi.hansa.com/46102206



1

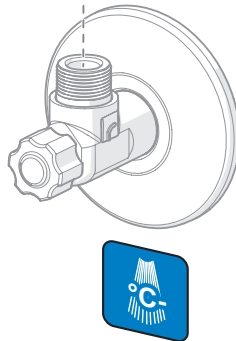
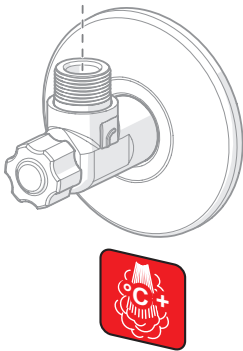
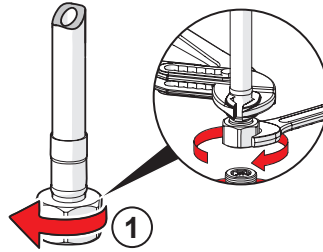
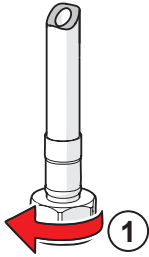
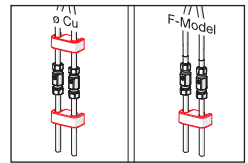
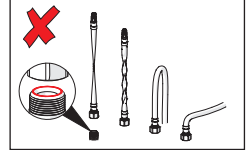
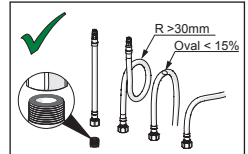




19

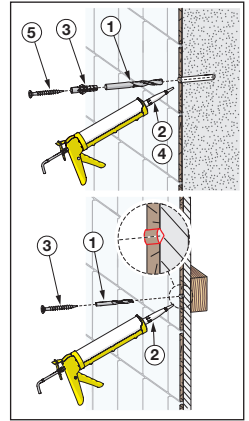
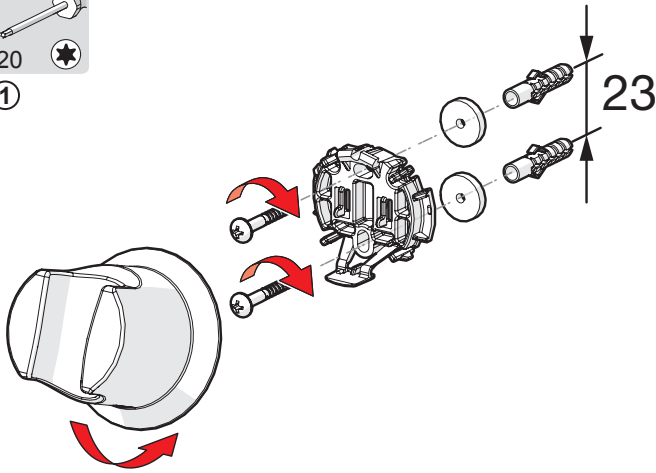
①

②

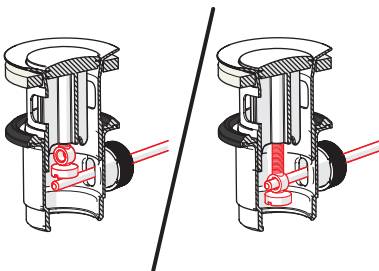
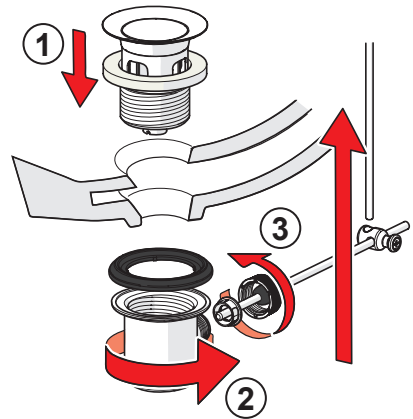
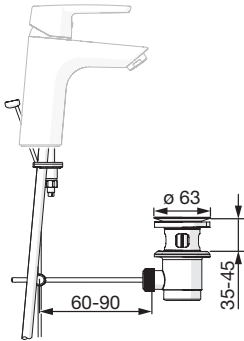


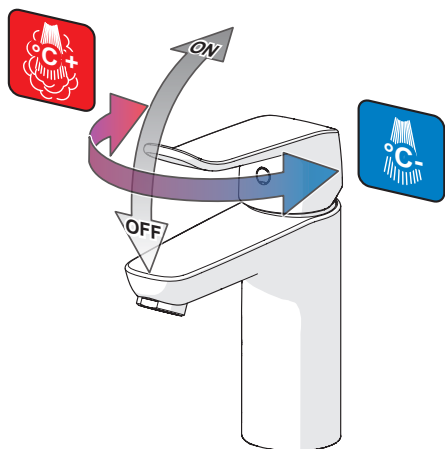


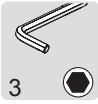
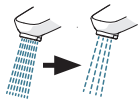
①



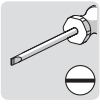
① ② ③



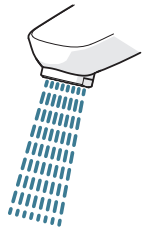
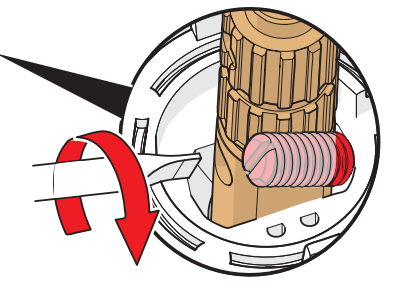
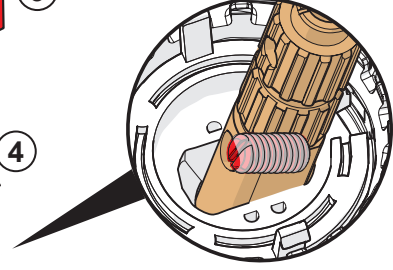
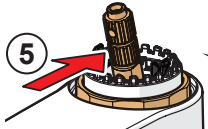
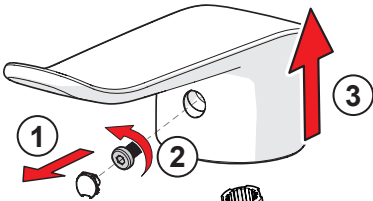


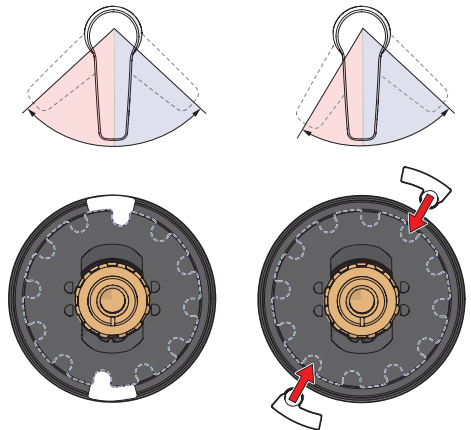
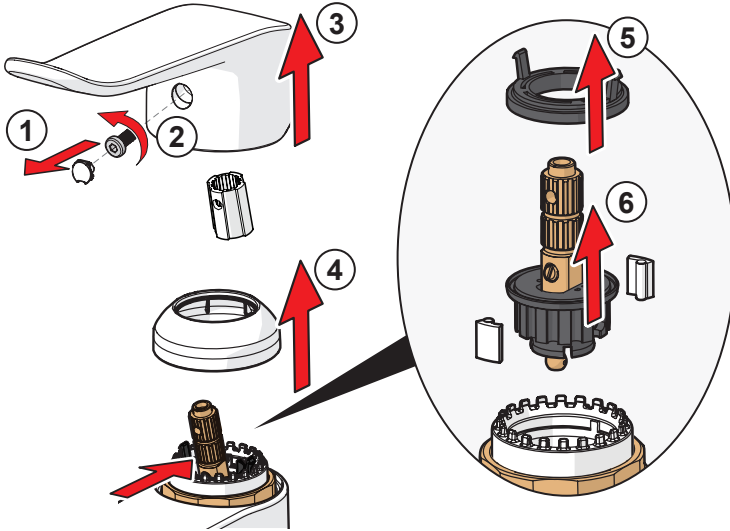
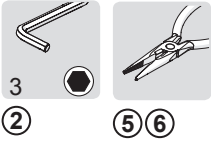


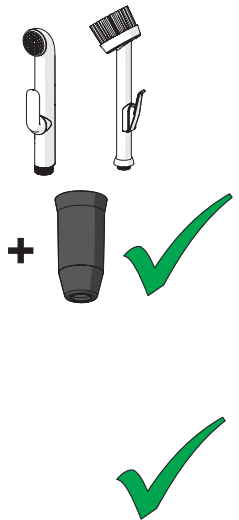
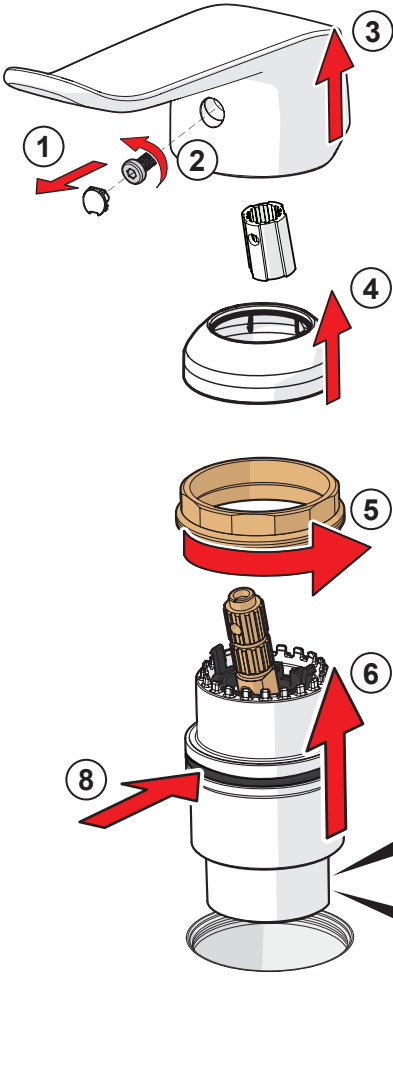
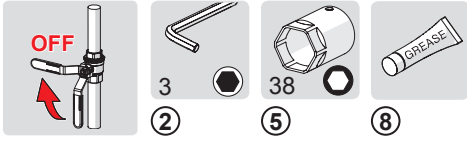
②

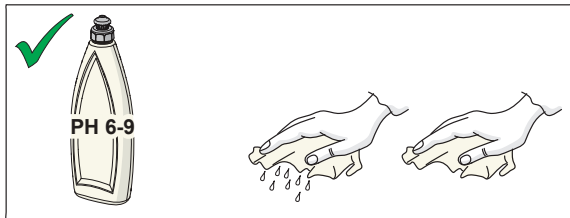
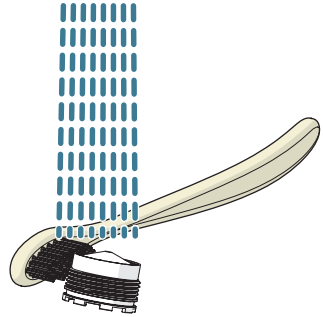
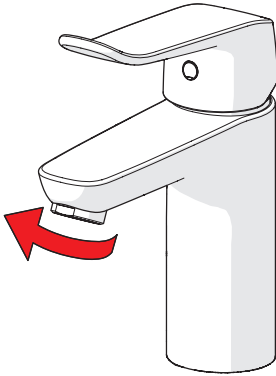


⑤







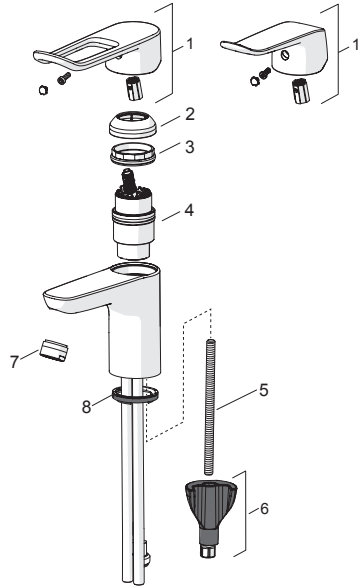


CLEANING.HANSA.COM



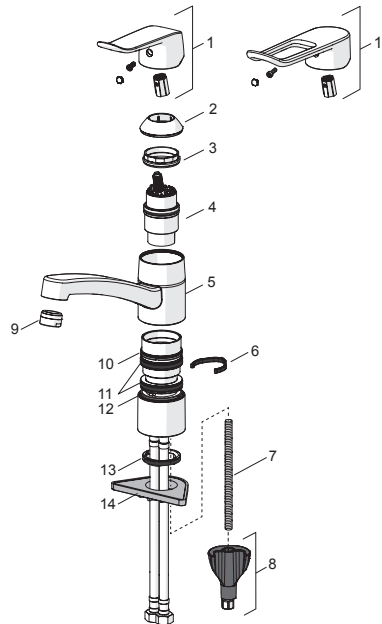
4602 2206 , 4628 2206 , 4601 2206, 4602 2286

- 1 59 914 719 L=136
- 1 59 914 716 L=162
- 2 59 914 478
- 3 59 914 128
- 4 59 914 129
- 5 59 914 474
- 6 59 914 475
- 7 59 914 054 Laminar
- 7 59 914 476
- 8 59 914 591



4610 2206 , 4615 2206

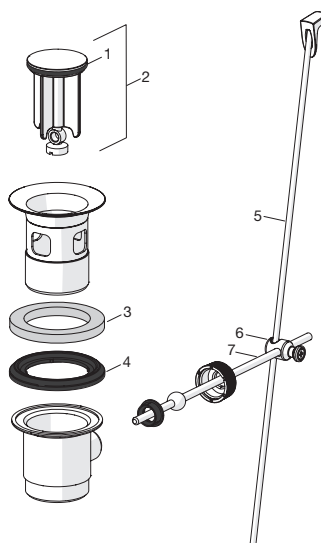
- 1 59 914 719 L=136
- 1 59 914 716 L=162
- 2 59 914 482
- 3 59 914 128
- 4 59 914 129
- 5 59 914 730 L=210
- 5 59 914 483 L=132
- 6 59 914 540 40° - 80°
- 6 59 914 489 120°
- 7 59 914 474
- 8 59 914 475
- 9 59 905 830
- 9 59 902 366
- 10 59 914 490
- 11 59 914 485
- 12 59 914 486
- 13 59 914 591
- 14 59 910 008
- NaN 59 914 468





4601 2206

- 1 59 911 456
- 2 59 902 021
- 3 59 905 077
- 4 59 905 078
- 5 59 914 477
- 6 59 904 624
- 7 59 904 622



Oras Group is a powerful European provider of sanitary fittings: the market leader in the Nordics and a leading company in Continental Europe. The company's mission is to make the use of water easy and sustainable and its vision is to become the European leader of advanced sanitary fittings. Oras Group has two strong brands: Oras and Hansa.

The Group's head office is located in Rauma, Finland, and the Group has three manufacturing sites: Kralovice (Czech Republic), Olesno (Poland) and Rauma (Finland). Oras Group employs approximately 1,200 people in twenty countries. Oras Group is owned by Oras Invest, a family company and an industrial owner.

HANSA Armaturen GmbH
P. O. BOX 81 02 40
D-70519 Stuttgart
Sigmaringer Strasse 107
D-70567 Stuttgart
Tel.: +49 711 16 14 0
Fax: +49 711 16 14 368
info@hansa.de
www.hansa.com

